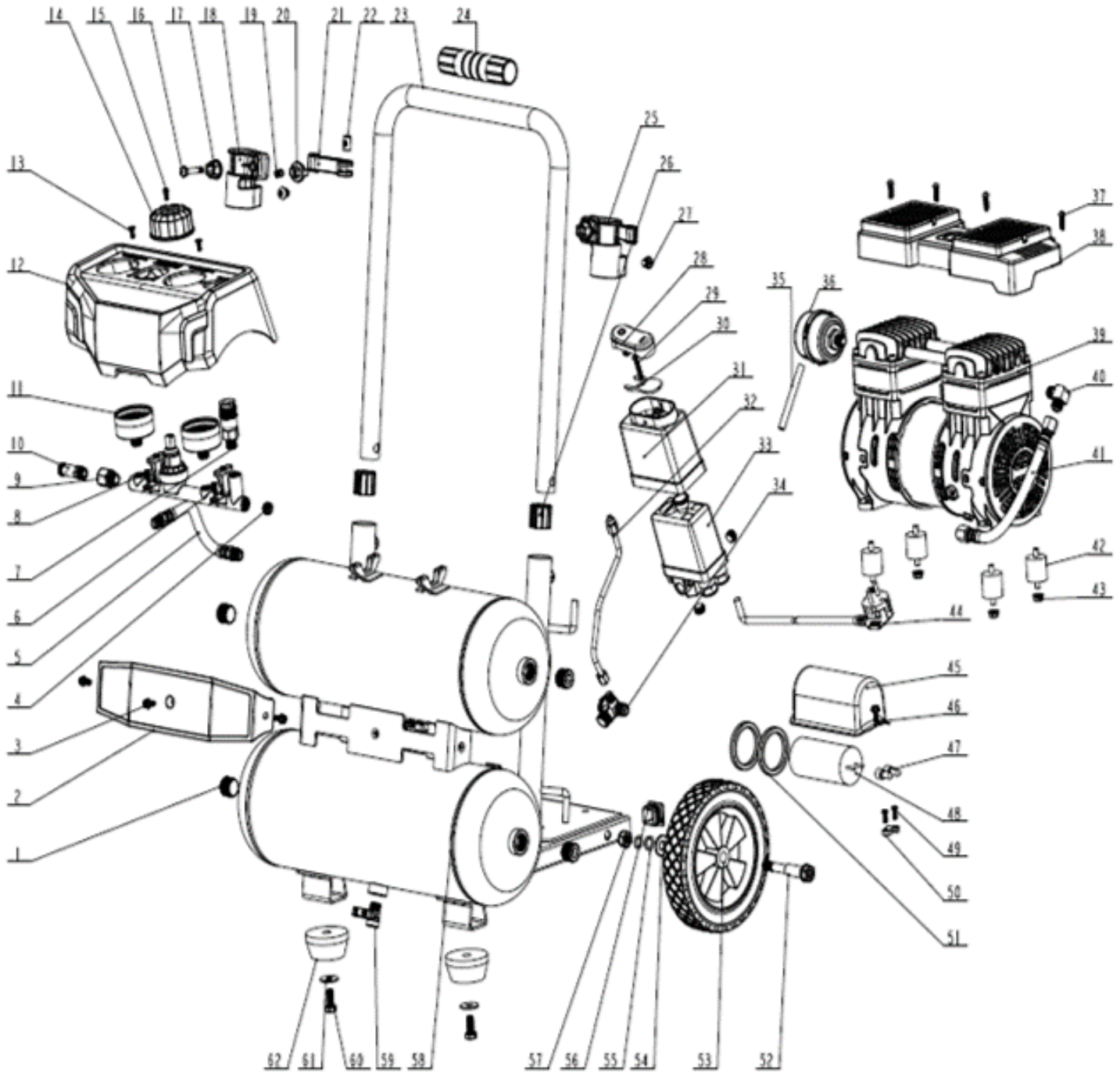
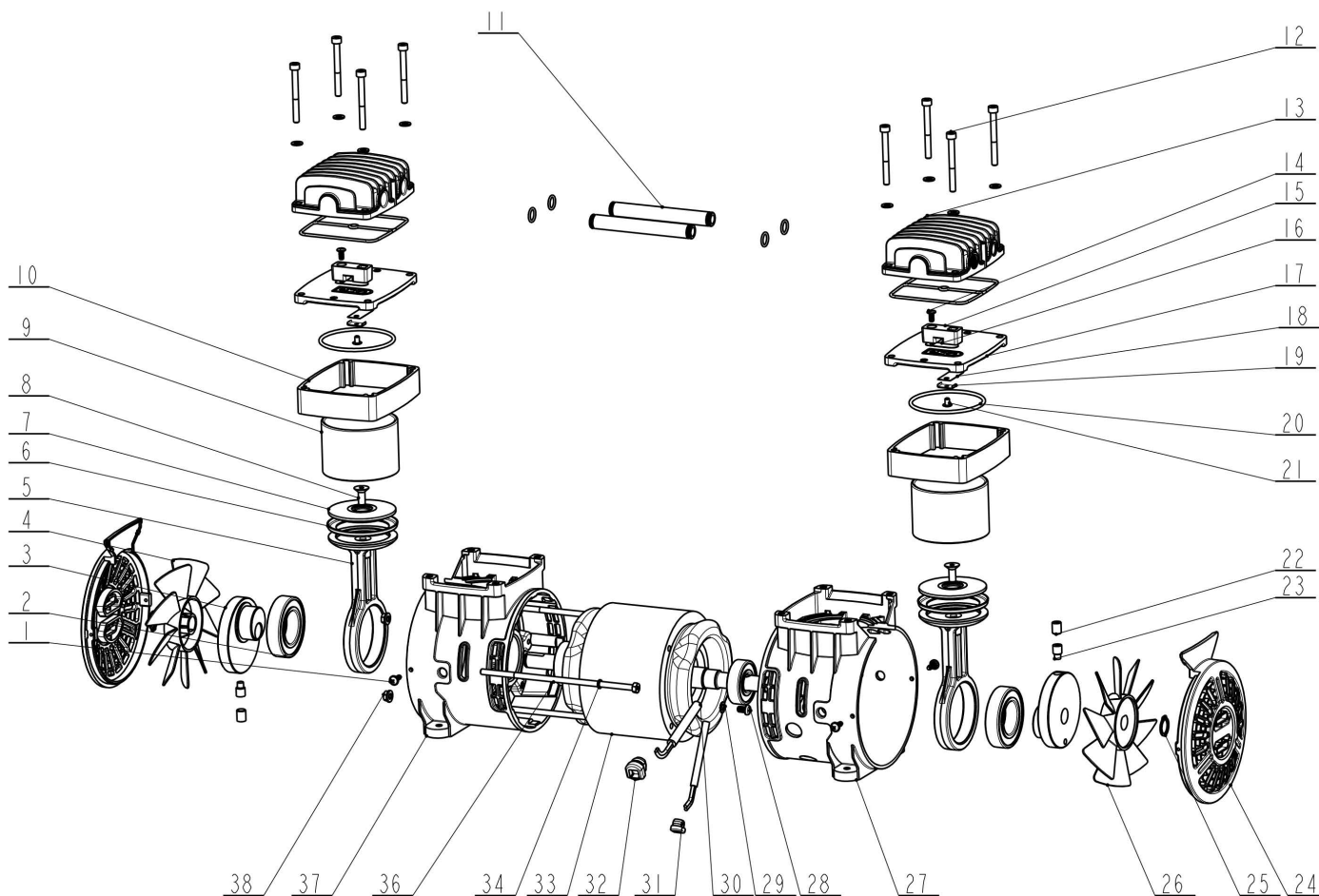


# schepach

5906145901

Compressor HC20Si-  
Twin schepach





## Main products

5906145901

## Spare part list

171831 - 0272 - HC20Si - Twin - -

Spare	Description	additional	Item	Abb.	ConstructStatus
5906145001	End Cap		1	A	*
5906145002	Baffle plate		2	A	*
5906145003	End Cap		4	A	*
5906145004	Rubber Hose		5	A	*
5906145005	Pressure Regulator		6	A	*
5906145006	Suction pipe		6,8-10	A	*
5906145007	Quick Coupler		7	A	*
5906145008	Safety Valve		10	A	*



5906145901

Compressor HC20Si-  
Twin schepach



**Main products**

**Spare part list**

5906145901

171831 - 0272 - HC20Si - Twin - -

Spare	Description	additional	Item	Abb.	ConstructStatus
5906145009	Pressure Gauge		11	A	*
5906145010	Control Panel		12	A	*
5906145011	Pressure Regulator Knob		14	A	*
5906145012	Screw	M6x35	16	A	*
5906145013	nut		17	A	*
5906145014	Latch assm left		18	A	*
5906145015	Spring		19	A	*
5906145016	Plastic Washer		20	A	*
5906145017	Lever		21	A	*
5906145018	Lock Nut		22	A	*
5906145019	handle cpl.		23,24	A	*
5906145020	Latch assm right		25	A	*
5906145021	Slide Sleeve		26	A	*
5906145022	Pressure switch cpl.		28-31,33	A	*
5906145023	Check Valve		34	A	*
5906145024	Air filter with hose		35,36	A	*
5906145025	Heat Shield Assembly		38	A	*
5906145026	Motor Pump Assembly		39	A	*
5906145027	Elbow Fitting		40	A	*
5906145028	Metal Tube		41	A	*
5906145029	Cushion Pad		42	A	*
5906145030	Power Cord		44	A	*
5906145031	Capacitor Shroud		45	A	*
5906145032	Capacitor		48	A	*
5906145033	Capacitor Fixed Ring		51	A	*



**Main products**

**Spare part list**

5906145901

171831 - 0272 - HC20Si - Twin - -

Spare	Description	additional	Item	Abb.	ConstructStatus
5906145034	Wheel axle cpl.		52,54,55,57	A	*
5906145035	Wheel		53	A	*
5906145036	Frame cap		56	A	*
5906145037	Tank		58	A	*
5906145038	Drain Valve		59	A	*
5906145039	Foot cpl.		60-62	A	*
5906145043	fan		4	B	*
5906145041	Connecting tube with gasket		11	B	*
5906145040	Cylinder head with gasket		13	B	*
5906145042	Motor cover		24	B	*
5906145046	fan B		26	B	*
5906145044	Rotor		30	B	*
5906145045	Stator		33	B	*